

Burns and Ferrall Locations

AUCKLAND
 12 Reg Savory Place
 East Tamaki, Auckland

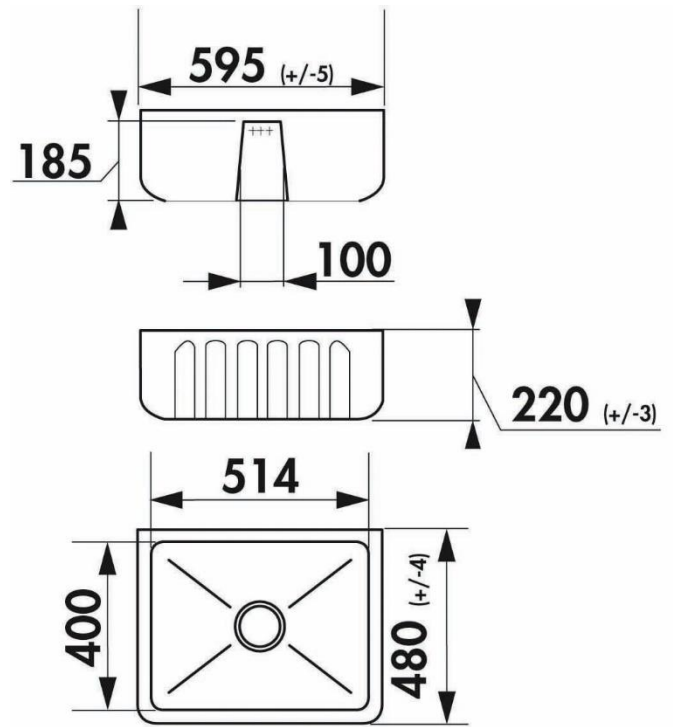
0800 697 465

WELLINGTON
 122-124 Tory Street
 Te Aro

HAMILTON
 60 Alexandra Street
 Central

CHRISTCHURCH
 345 St Asaph Street
 Christchurch

**Product Specification Sheet
 LOUIS-I**



Louis I Butler Sink
 Fireclay Single Butler Sink with Fluted Facade

Models	Material & Finish
03 LOUIS-I <i>White</i>	Fireclay, Porcelain Glaze
Overall Dimensions W x D x H	Waste
595 x 480 x 220mm*	90mm
Bowl Dimensions W x D x H	Minimum Cabinet Size
514 x 400 x 185mm*	595mm

E&OE – it is recommended all measurements are taken directly from the product. Specification subject to change without notice, always consult the literature supplied with the product. Coloured images are indicative only.